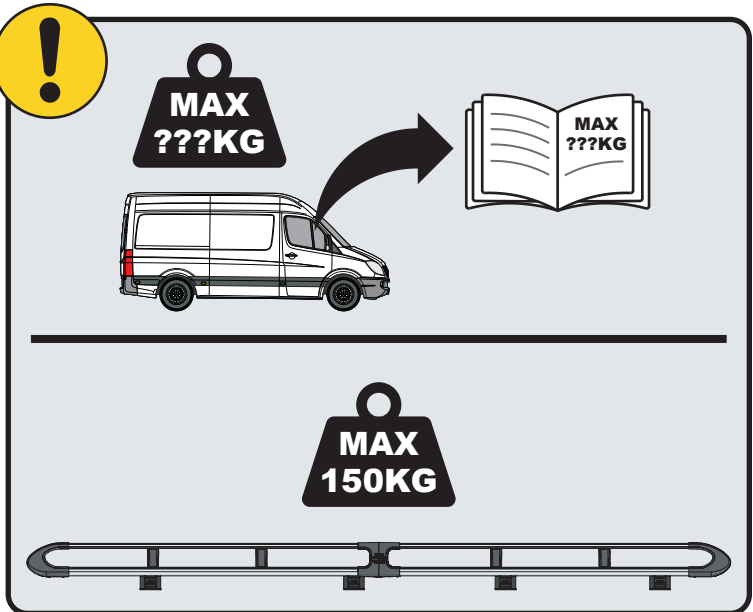
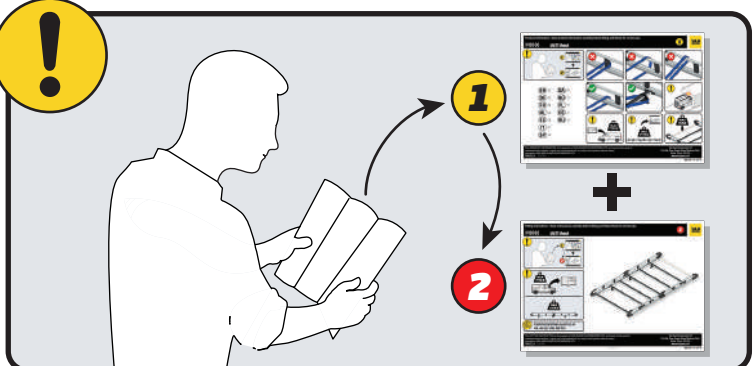


IN8310

ULTI Rack+



 Customercare@van-guard.co.uk
UK +44 (0) 1392 368 351



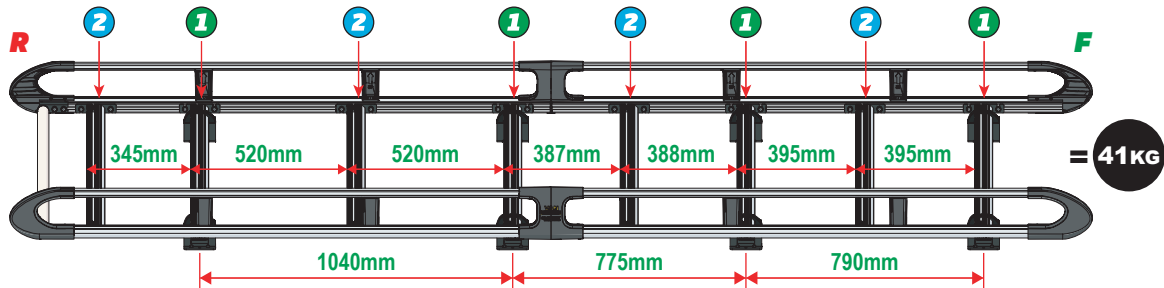
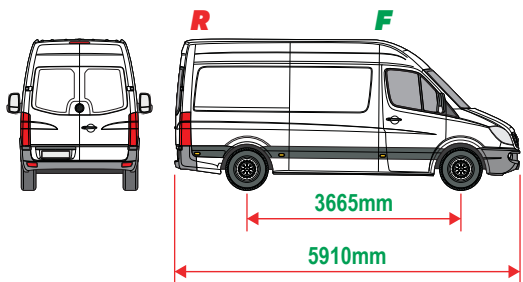
This FITTING INSTRUCTION is the property of VAN GUARD ACCESSORIES LTD. and must not be used for manufacturing purposes, copied nor communicated in any way to third parties without written permission from VAN GUARD ACCESSORIES LTD.
IN8310_A (CN:NR)

Van Guard Accessories Ltd
Fair Oak Close, Exeter Airport Business Park,
Exeter, Devon, EX5 2UL
www.van-guard.co.uk

THIS INSTRUCTION COVERS THE FOLLOWING MODELS - CHECK YOU ARE FITTING THE CORRECT MODEL BEFORE PROCEEDING

VGUR-239

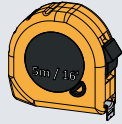
Mercedes Sprinter: 2006 on
Volkswagen Crafter: 2007-2017
L2H2 (MWB)
Twin Rear Doors



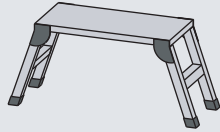
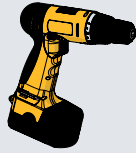
SUPPLIED COMPONENTS - CHECK ALL PARTS ARE PRESENT AND CORRECT BEFORE PROCEEDING (1 OF 2)

TOOLS REQUIRED

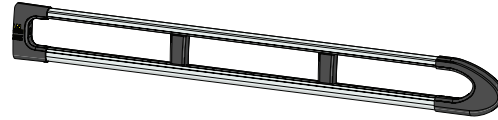
10MM X1



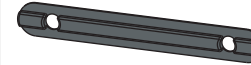
13MM X1



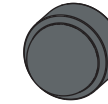
AS3545 X2
(3400 / A)



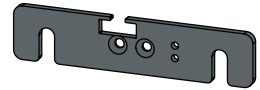
MA6118 X16



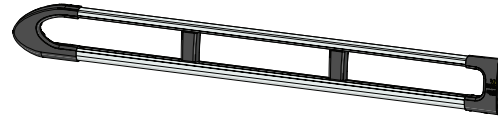
FX4241 X36



ME1622 X4



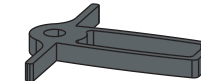
AS3544 X2
(3400 / B)



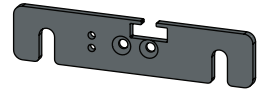
FX4008 X1



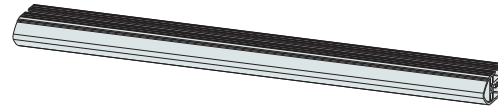
MA6145 X1



ME1623 X4



ME1628 X8
(1554mm)



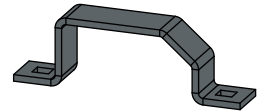
FX4001 X2
(M8X40)



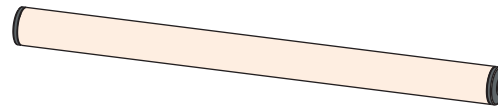
FX4235 X32
(M5X25)



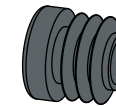
ME0203 X8



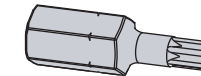
AS3160 X1
(1540mm)



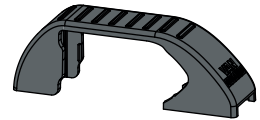
MA6007 X4



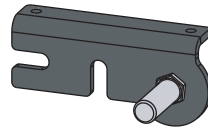
FX4248 X1
(T25)



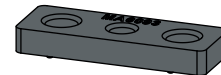
MA6065 X8



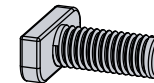
AS3590 X1



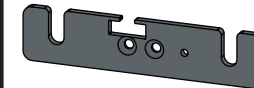
MA6093 X16



FX4239 X36
(M8X20)



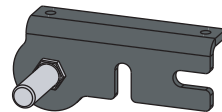
ME1620 X4



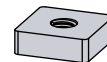
FX4016 X24
(M6)



AS3591 X1



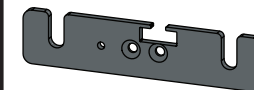
ME0316 X16



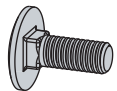
FX4240 X36
(M8)



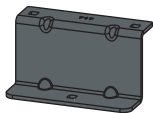
ME1621 X4



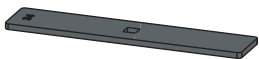
FX4042 X16
(M6X16)



ME0717 X8



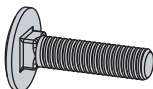
ME0034 X8



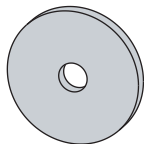
FX4014 X8



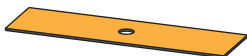
FX4022 X8
(M6X25)



FX4023 X8

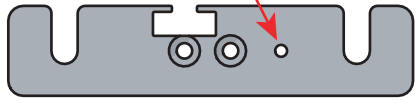


MA6018 X8



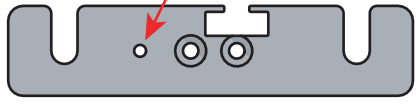
01

1L



X4

1R



X4

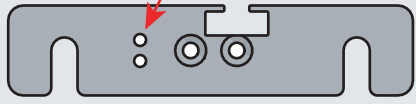


2L



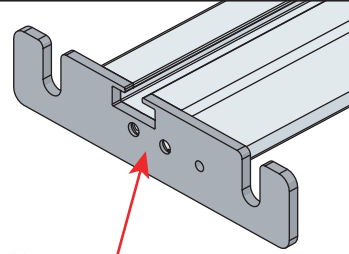
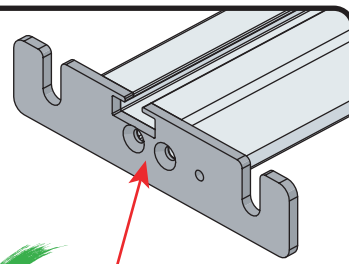
X4

2R



X4

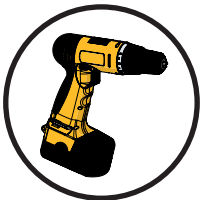
02



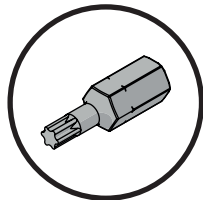
03

01

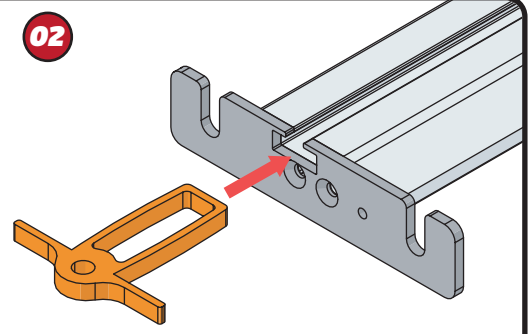
FX4248



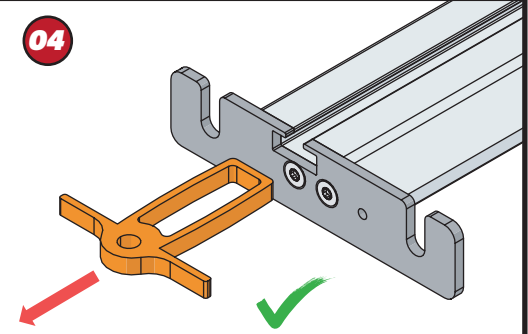
+



02



04

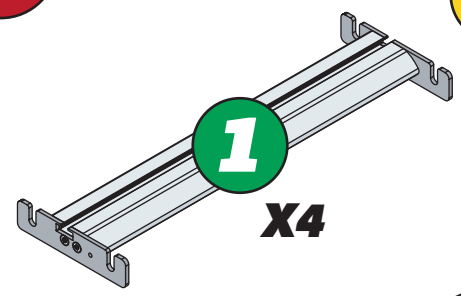


04



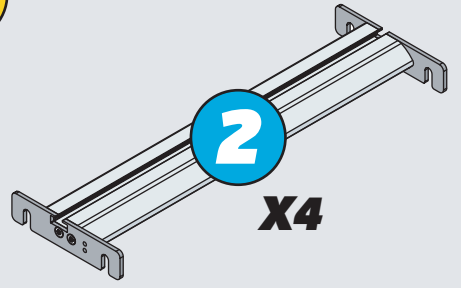
1

X4



2

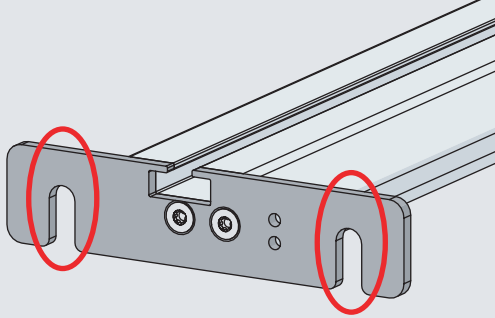
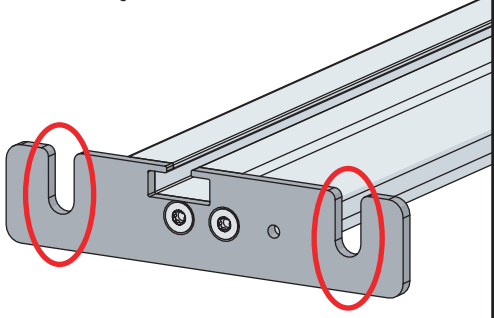
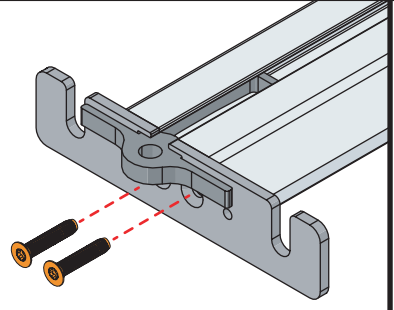
X4

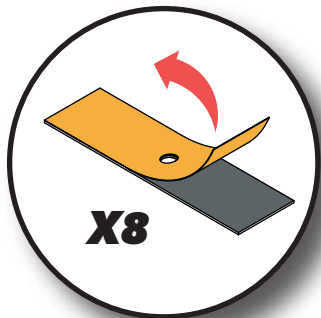
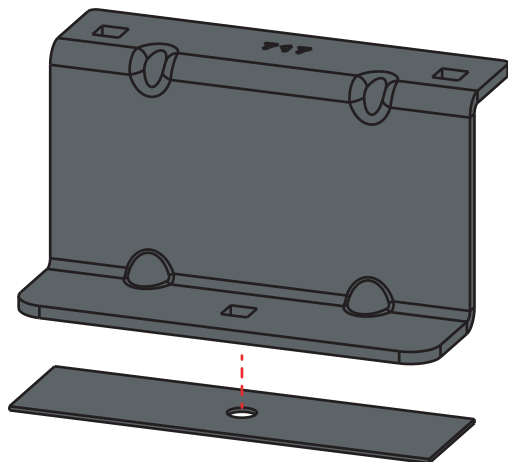


03



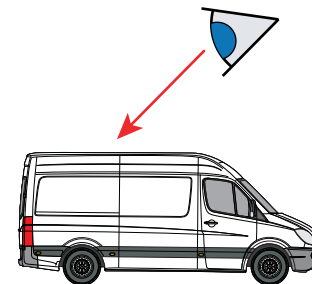
11Nm



05**X8**

EN - STICK GASKETS TO ALL BRACKETS
 DE - KLEBEN SIE DIE DICHTUNG AN ALLEN HALTERUNGEN
 FR - COUSSINETS ADHÉSIFS À TOUS LES SUPPORTS
 NL - PLAK PAKKING OP ALLE BEUGELS
 ES - PEGA LAS ALMOHADILLAS A TODOS LOS SOPORTES
 IT - ADESIVI GUARNIZIONI A TUTTE LE STAFFE

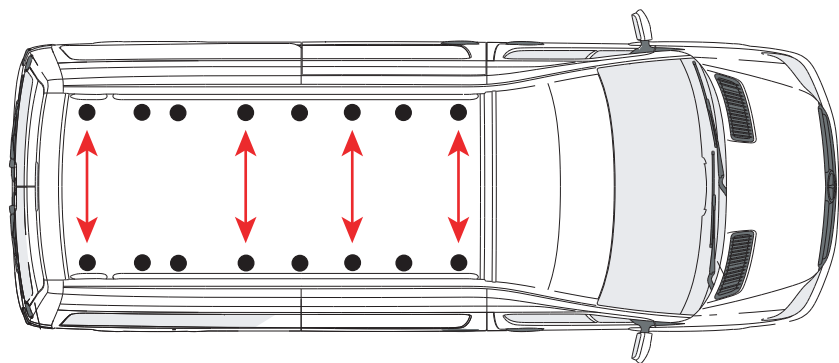
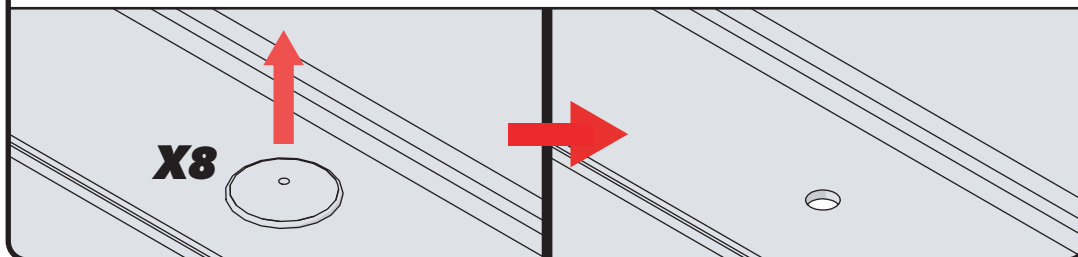
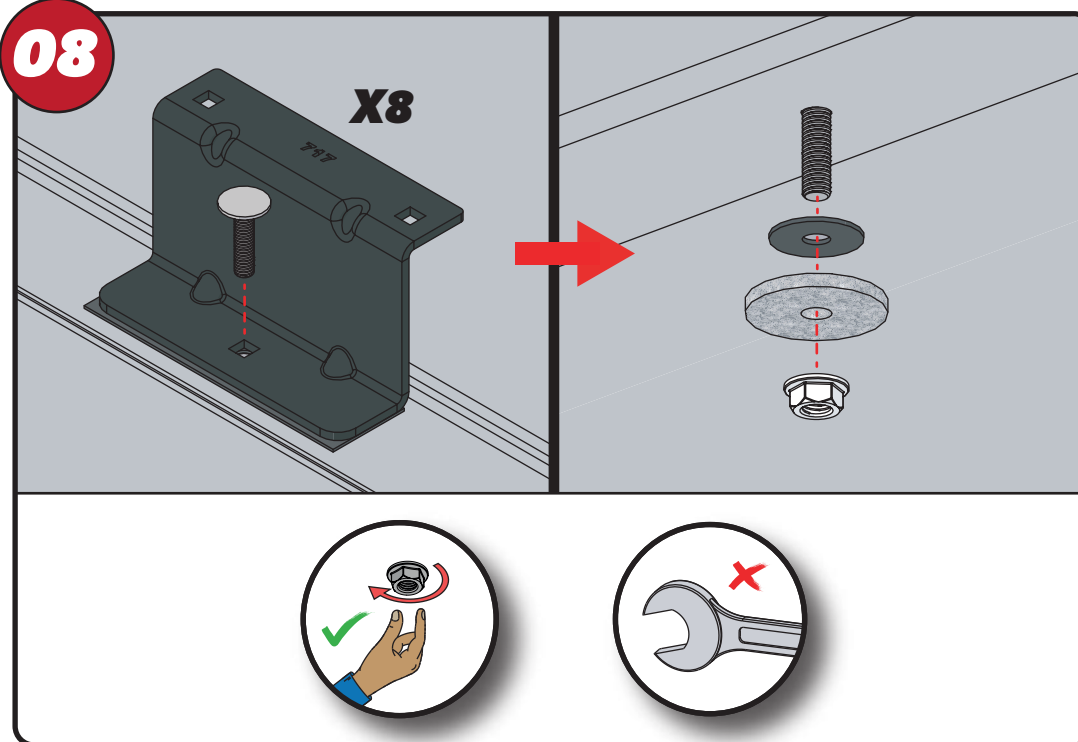
SV - FÄST GUMMI PÅ ALLA FÄSTEN
 DA - KLÆB GUMMI PÅ ALLE BESLAG
 NO - PLIST GUMMI PÅ ALLE BRAKKETER
 PL - NAKLEJ USZCZELKI DO WSZYSTKICH WSPORNIKÓW
 CS - PŘILEPTE TĚSNĚNÍ NA VŠECHNY DRŽÁKY

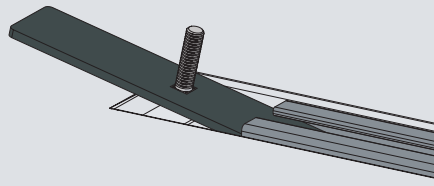
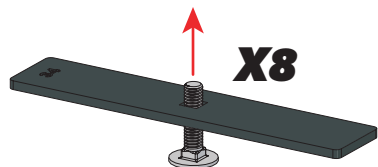
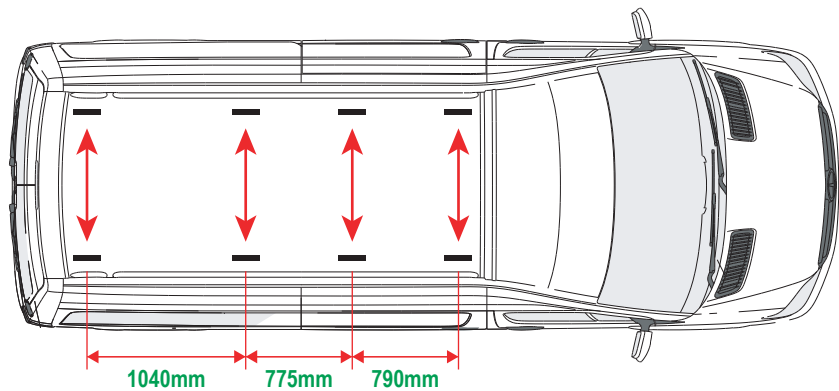
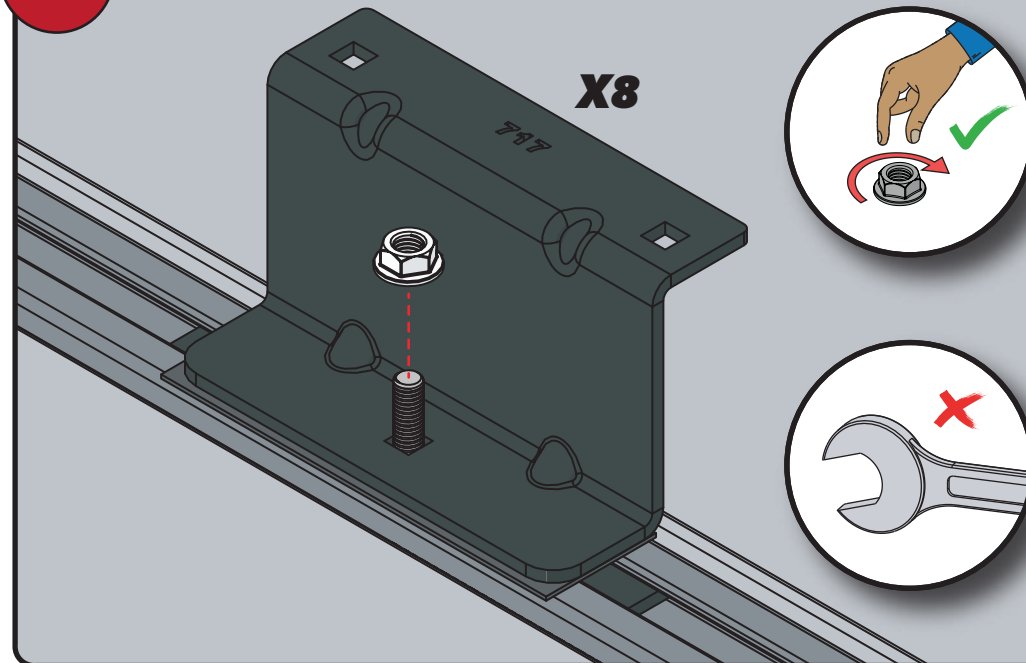
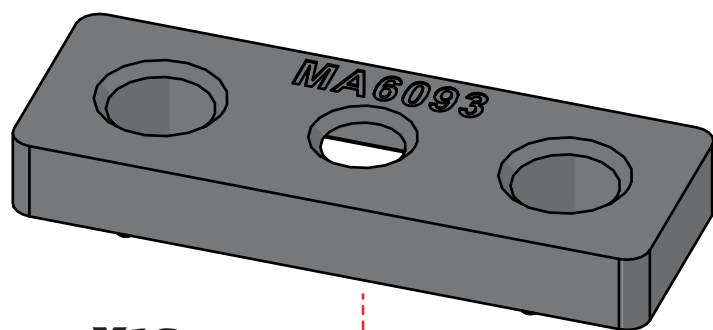
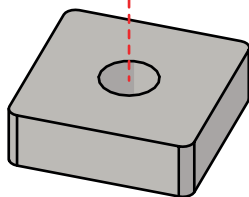
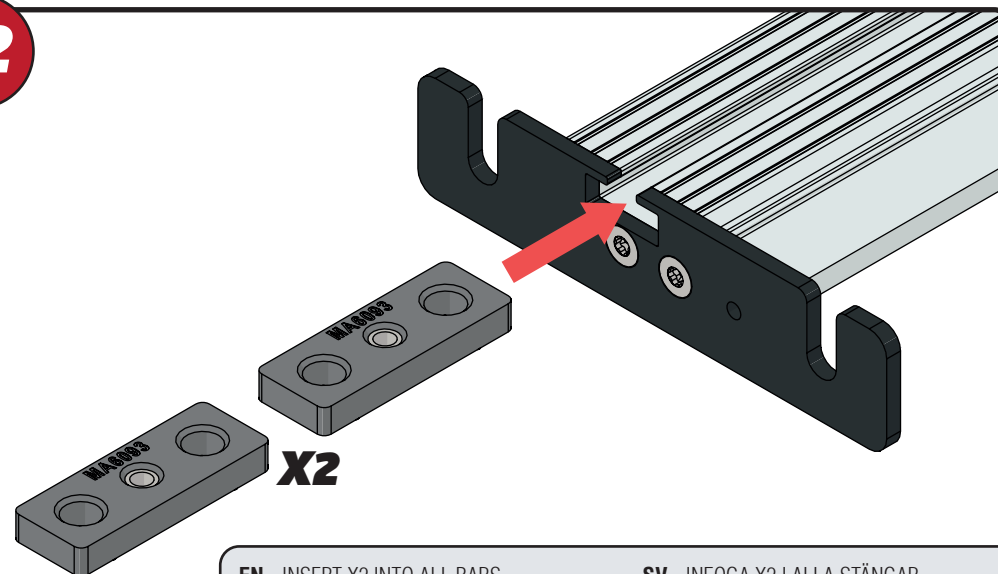
06

ROOF PLUGS

07 08

ROOF PREPERATION KIT (T-TRACK)

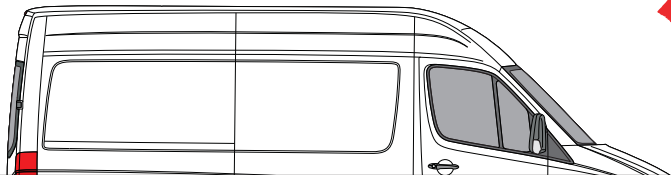
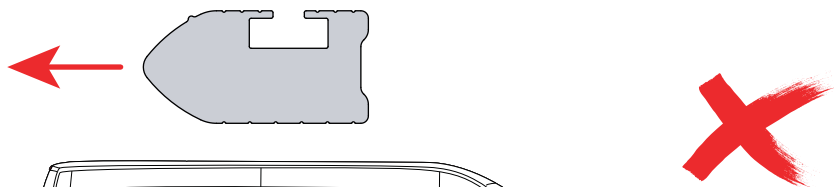
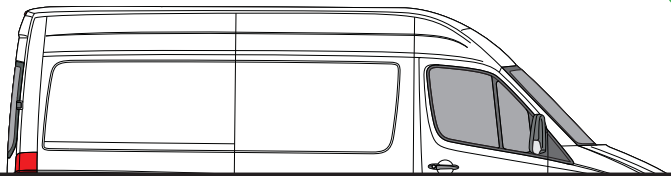
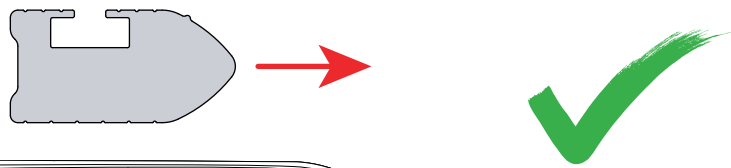
09 10**07****X8****08****X8**

09**10****11****X16****12**

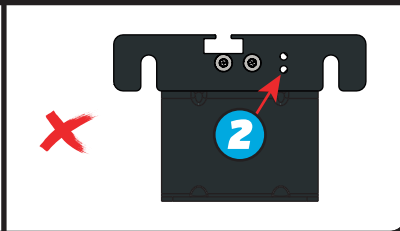
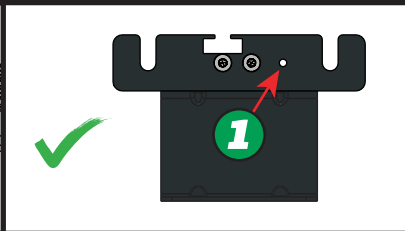
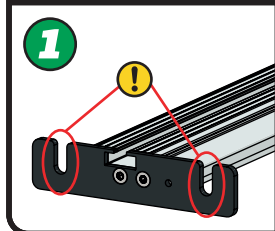
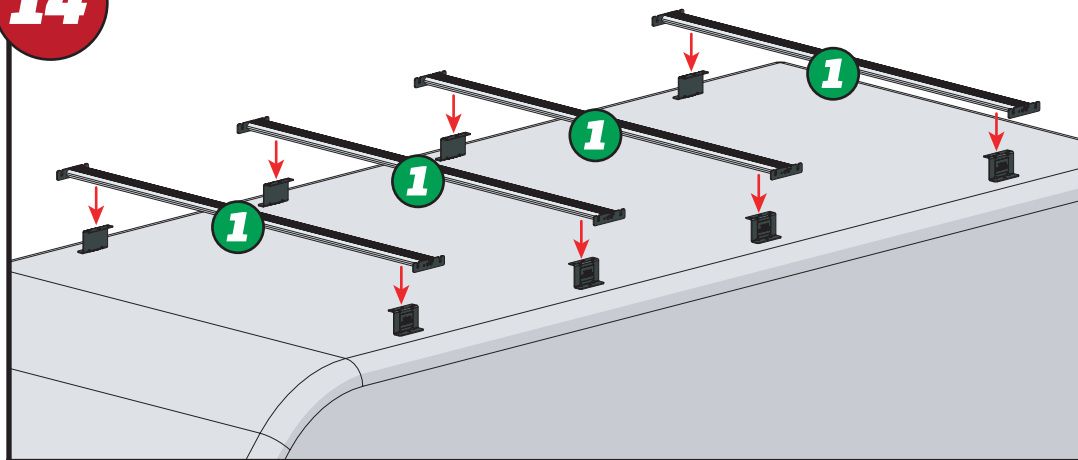
EN - INSERT X2 INTO ALL BARS
 DE - X2 IN ALLE STANGEN EINFÜGEN
 FR - INSÉRER X2 DANS TOUTES LES BARRES
 NL - PLAATS X2 IN ALLE BARS
 ES - INSERTAR X2 EN TODAS LAS BARRAS
 IT - INSERIRE X2 IN TUTTE LE BARRE

SV - INFOGA X2 I ALLA STÄNGAR
 DA - INDSÆT X2 I ALLE STÆNGER
 NO - SETT X2 INN I ALLE TAKSTENGER
 PL - WSTAW X2 DO WSZYSTKICH PRĘTÓW
 CS - VLOŽTE X2 DO VŠECH TYČÍ

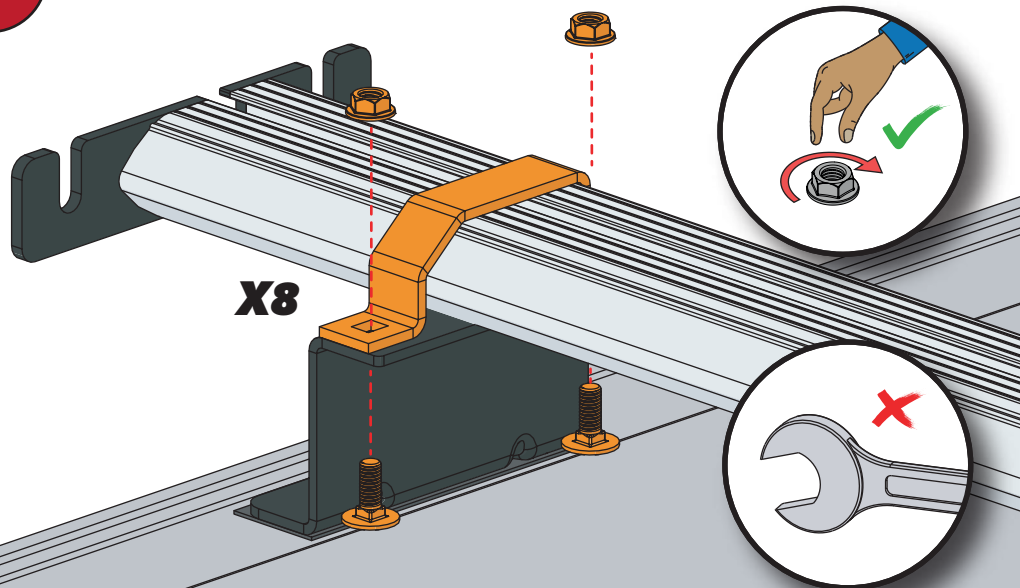
13



14

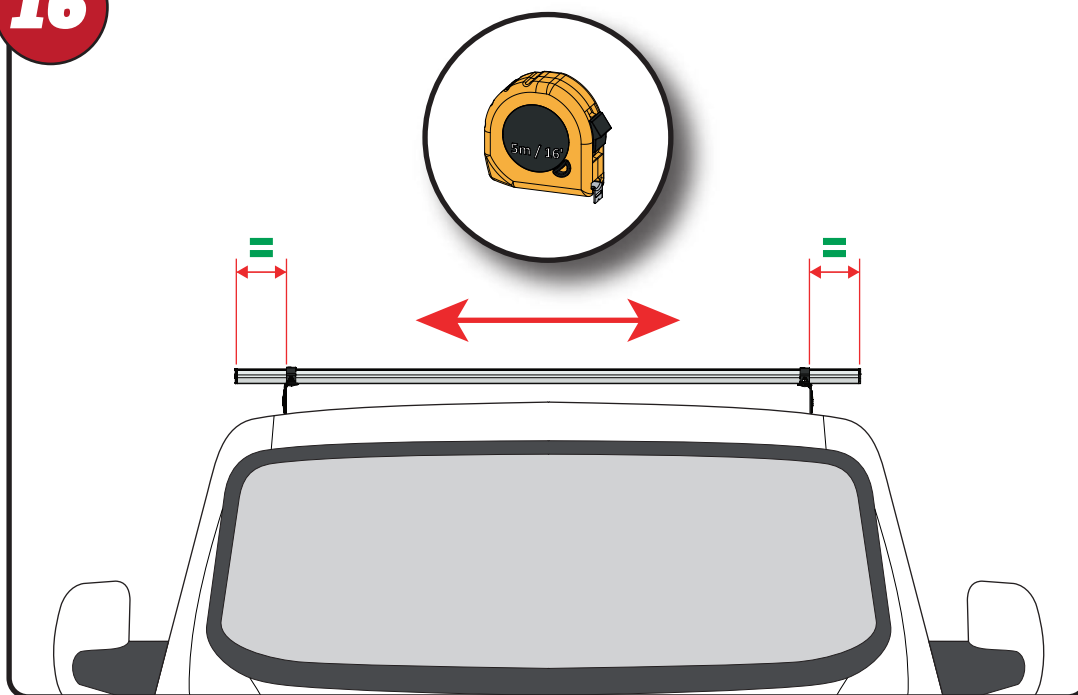


15



X8

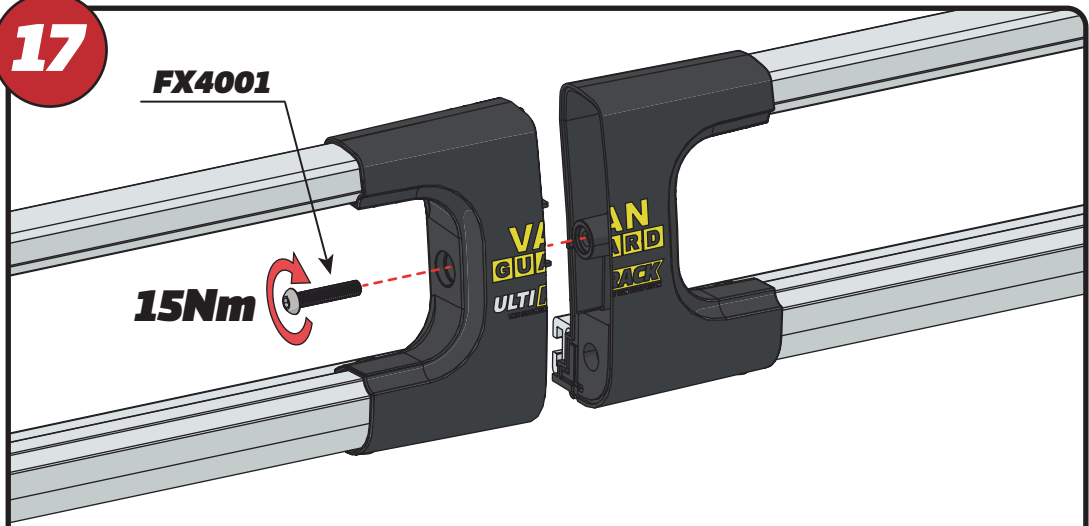
16



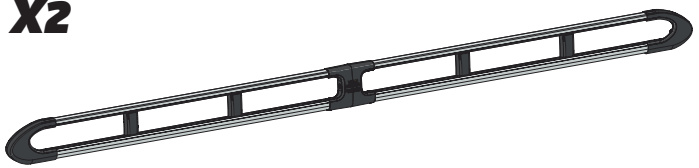
17

FX4001

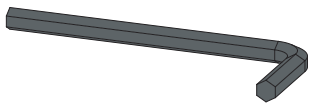
15Nm



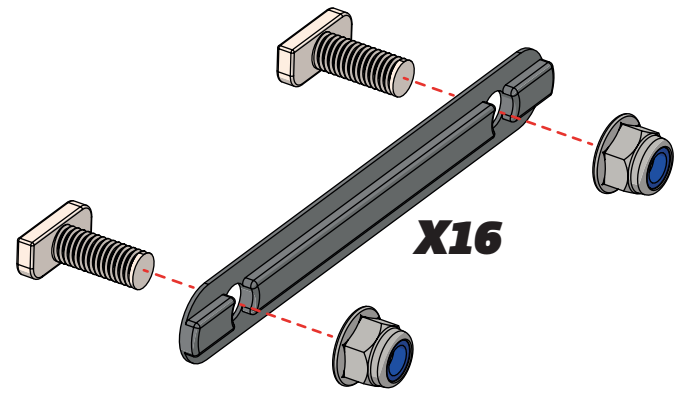
X2



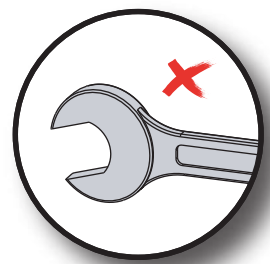
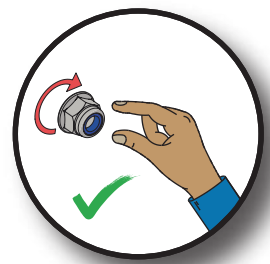
FX4008



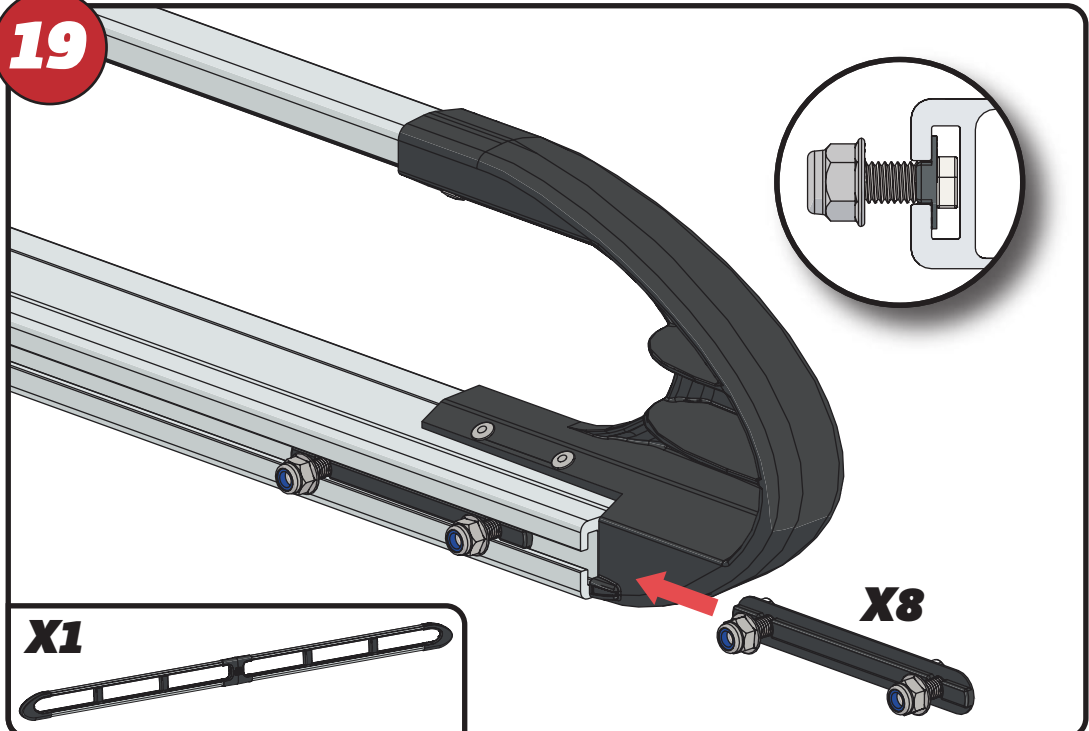
18



X16



19



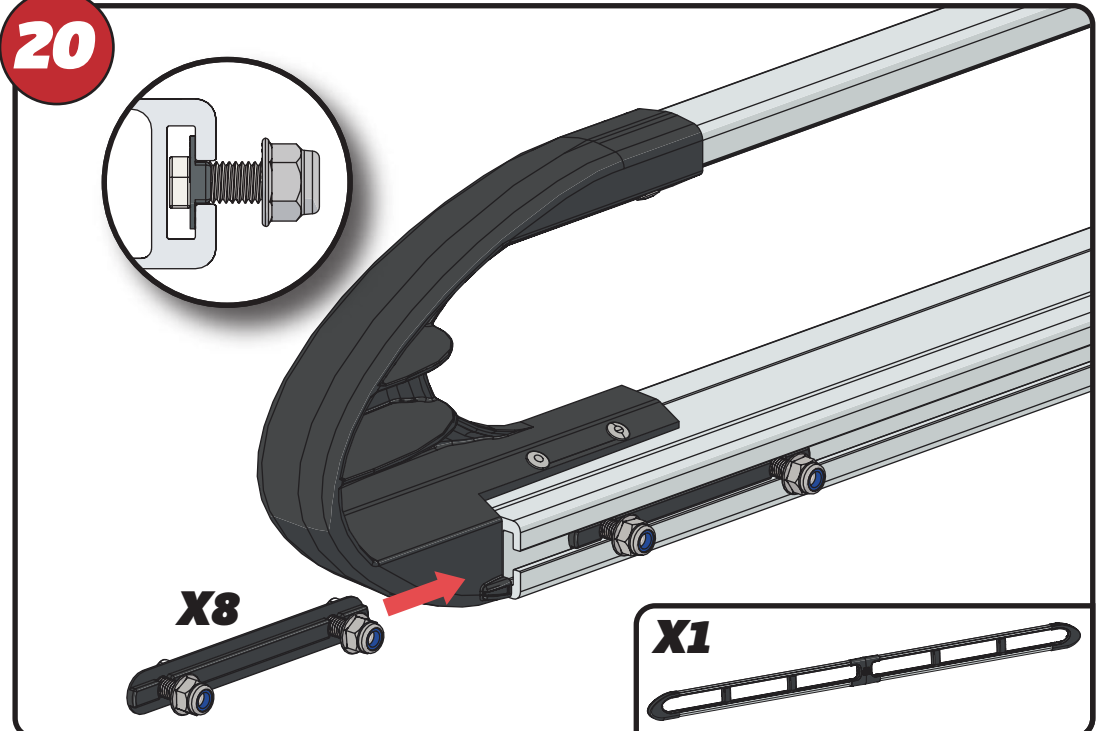
X1



X8



20



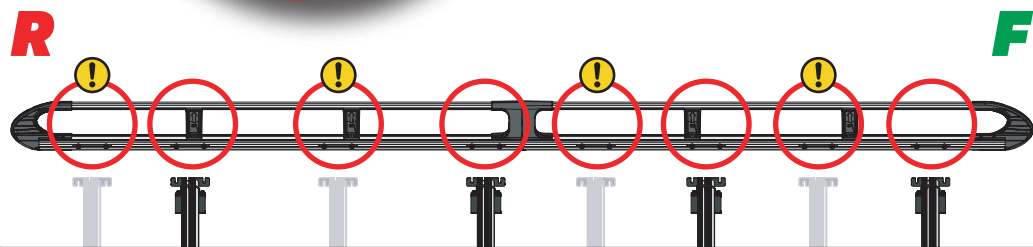
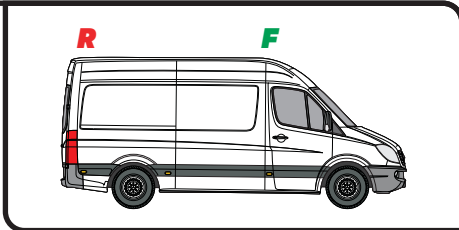
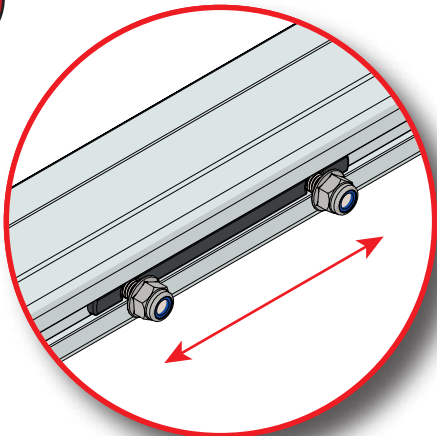
X8



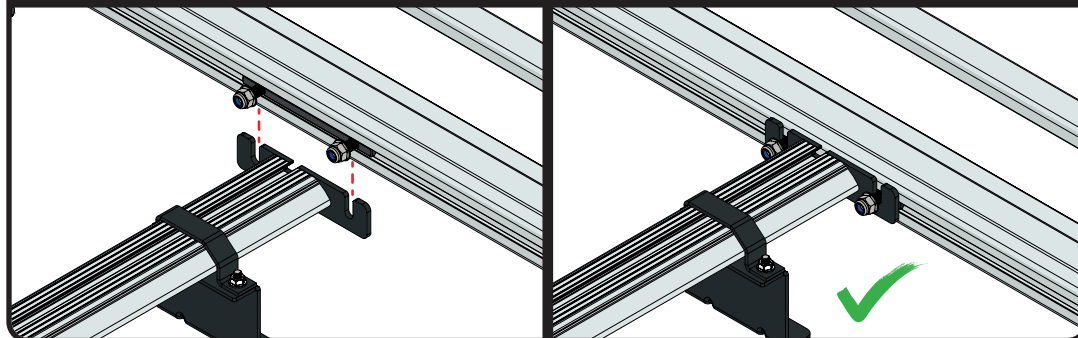
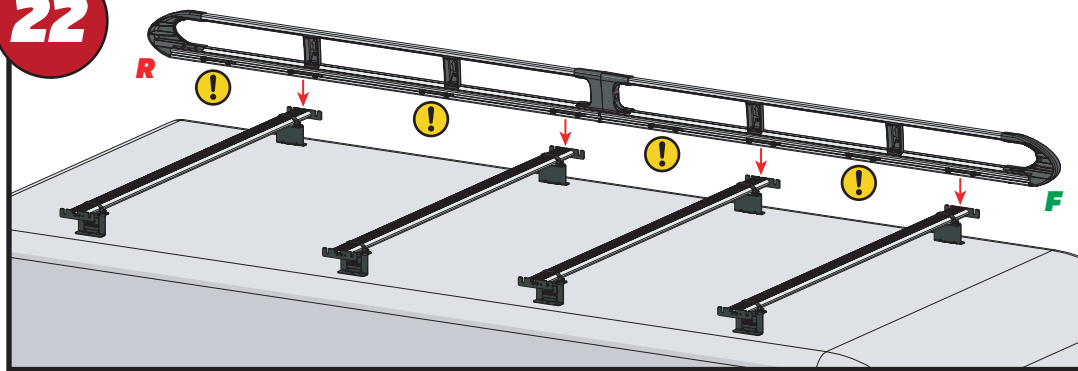
X1



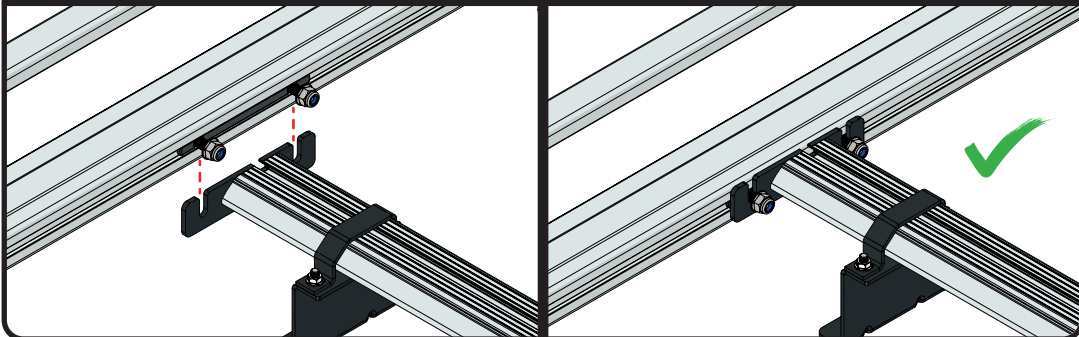
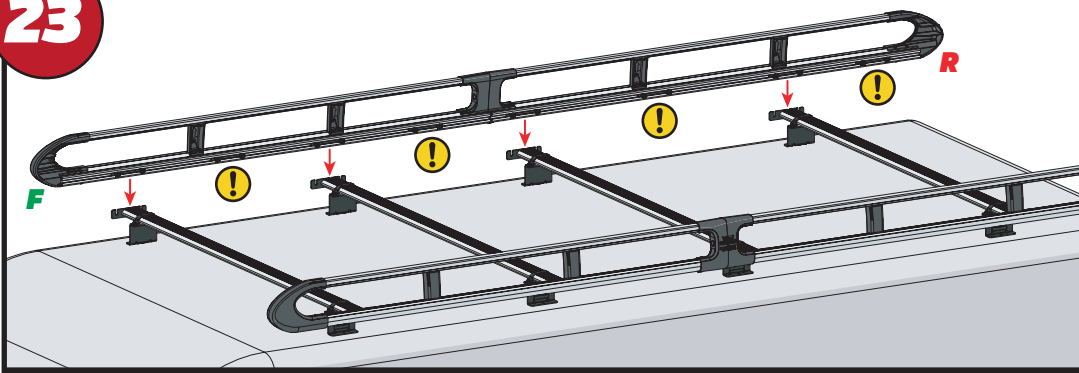
21



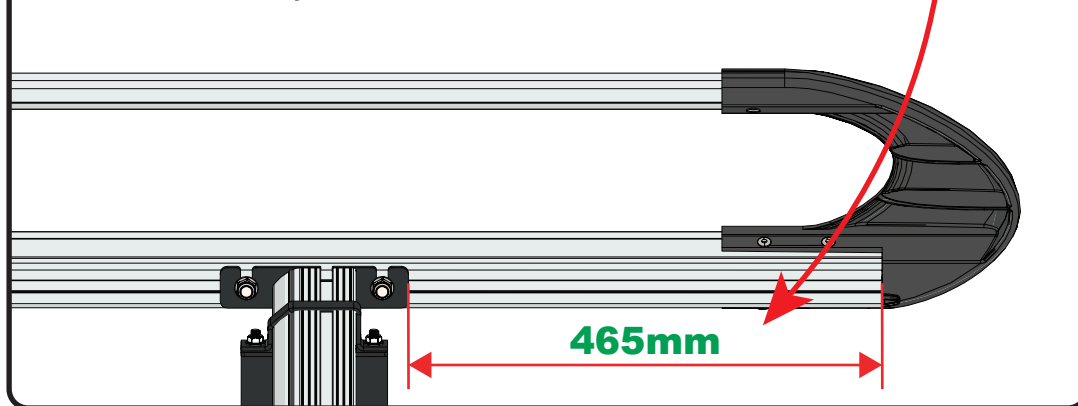
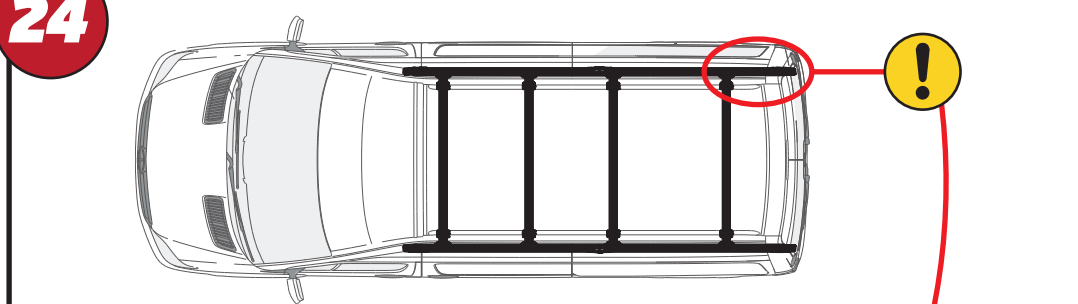
22

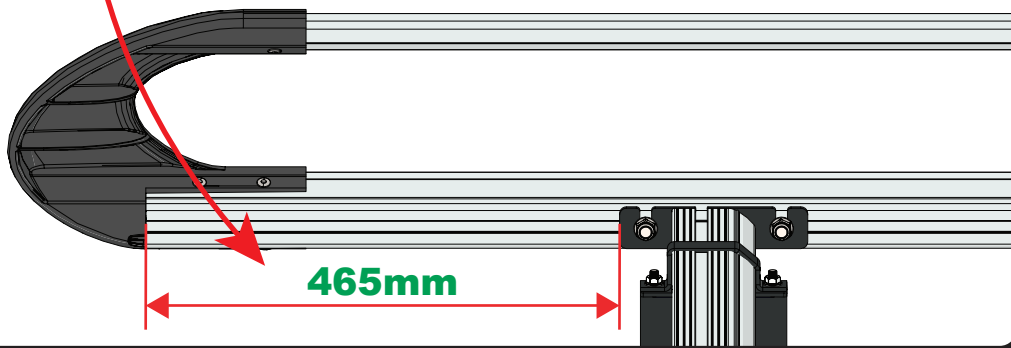
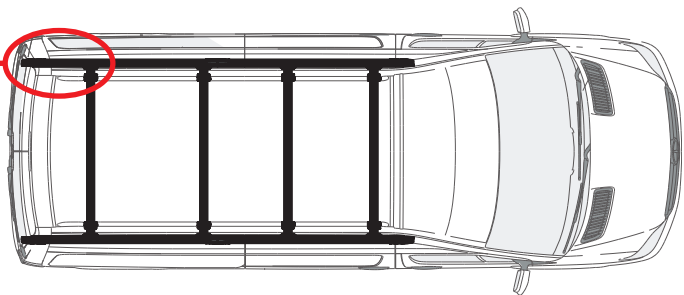


23

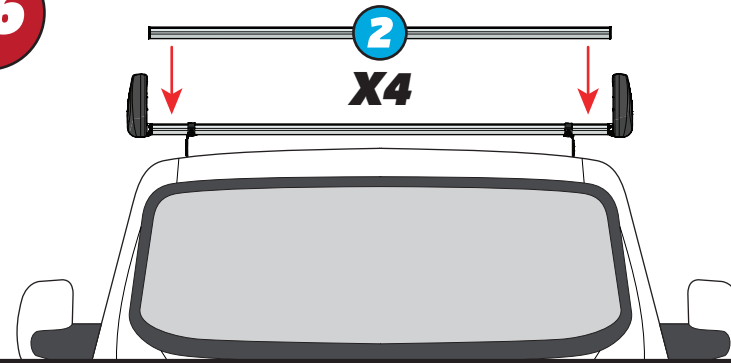


24



25

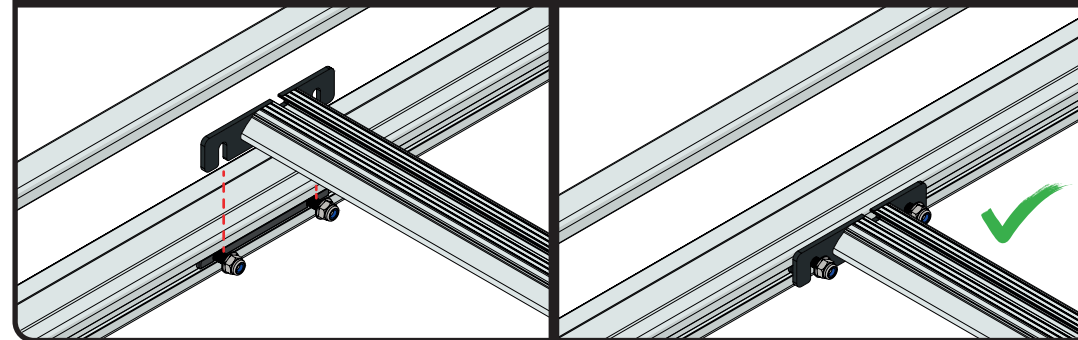
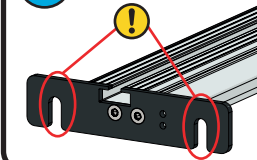
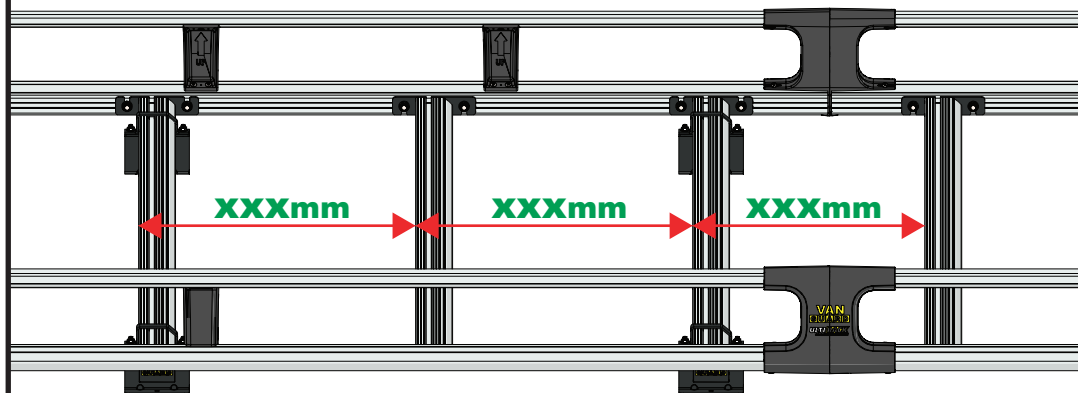
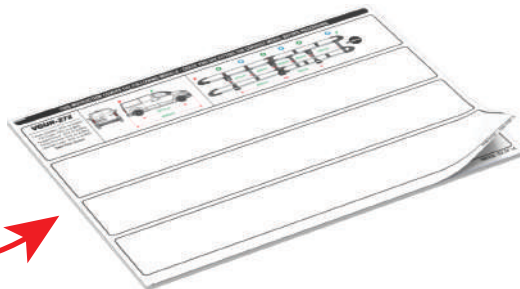
465mm

26

2

X4

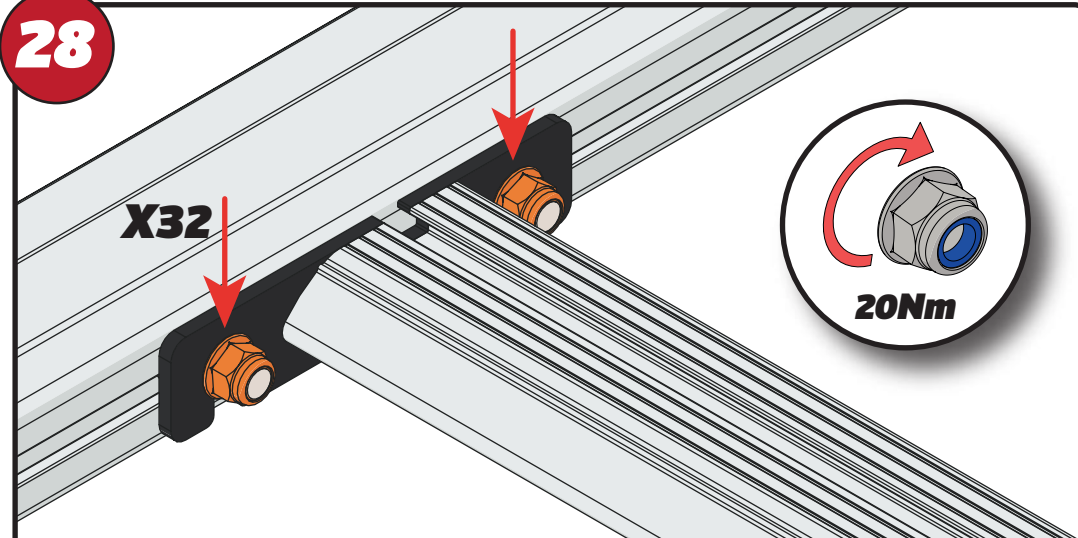
2

**27**XXX =
PAGE 2 OF 14

XXXmm

XXXmm

XXXmm

28

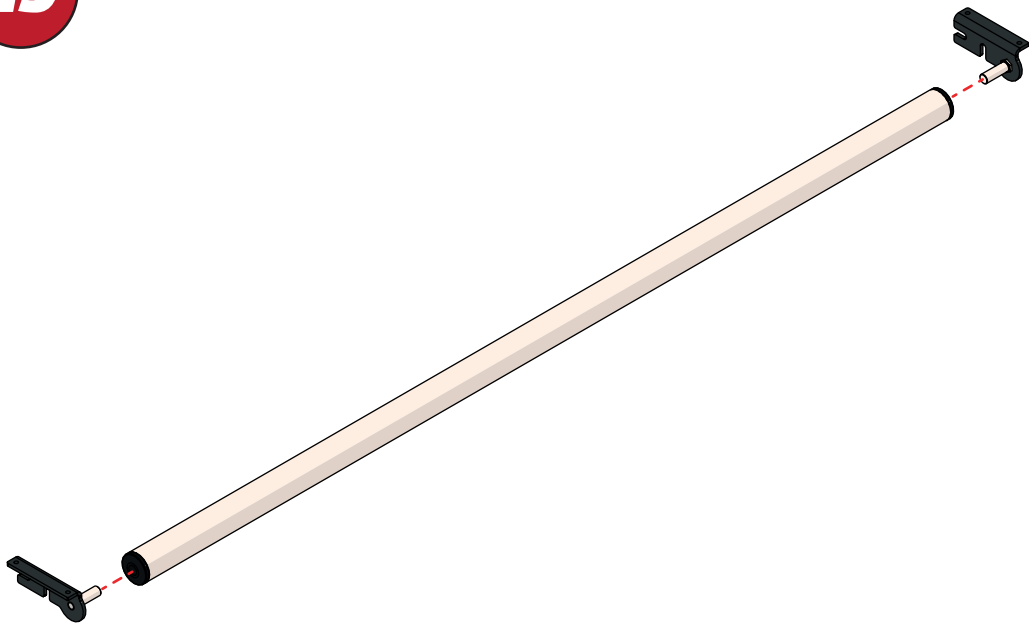
X32

20Nm

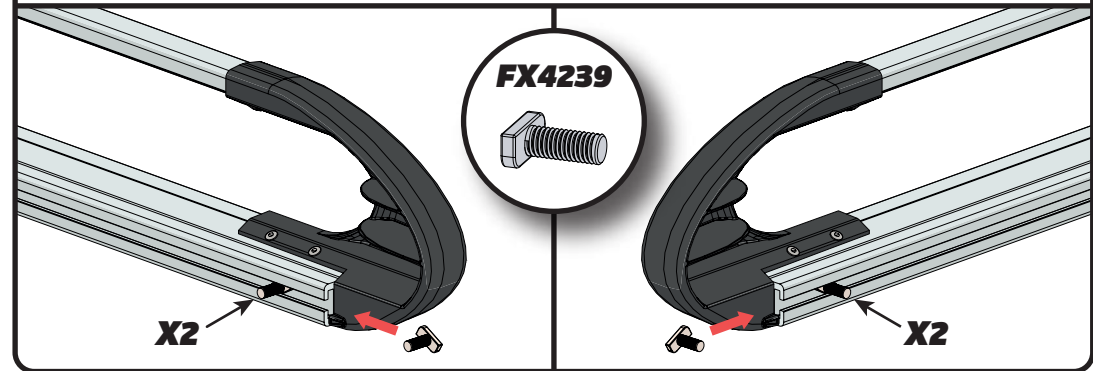
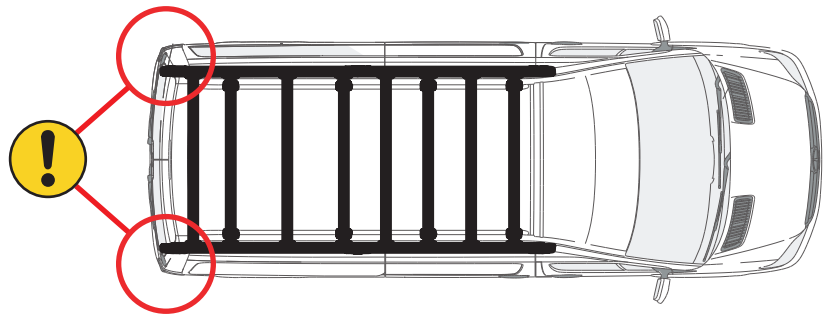
EN - TIGHTEN ALL OF THE CROSS BARS
 DE - ALLE QUERSTANGEN FESTZIEHEN
 FR - SERREZ TOUTES LES BARRES TRANSVERSALES
 NL - DRAAI ALLE DWARSBALK VAN HET DAK AAN
 ES - APRIETE TODAS LAS BARRAS TRANSVERSALES
 IT - STRINGERE TUTTE LE BARRE TRASVERSALI

SV - SKRU UPP ALLA KORSSTANGAR
 DA - SKRU ALLE TAGBØJLER OP
 NO - SKRU OPP ALLE TVERRSTENGER
 PL - DOKRĘCIĆ WSZYSTKIE POPRZECZKI
 CS - VŠECHNY PŘÍČNÉ TYČE SEŠROUJTE

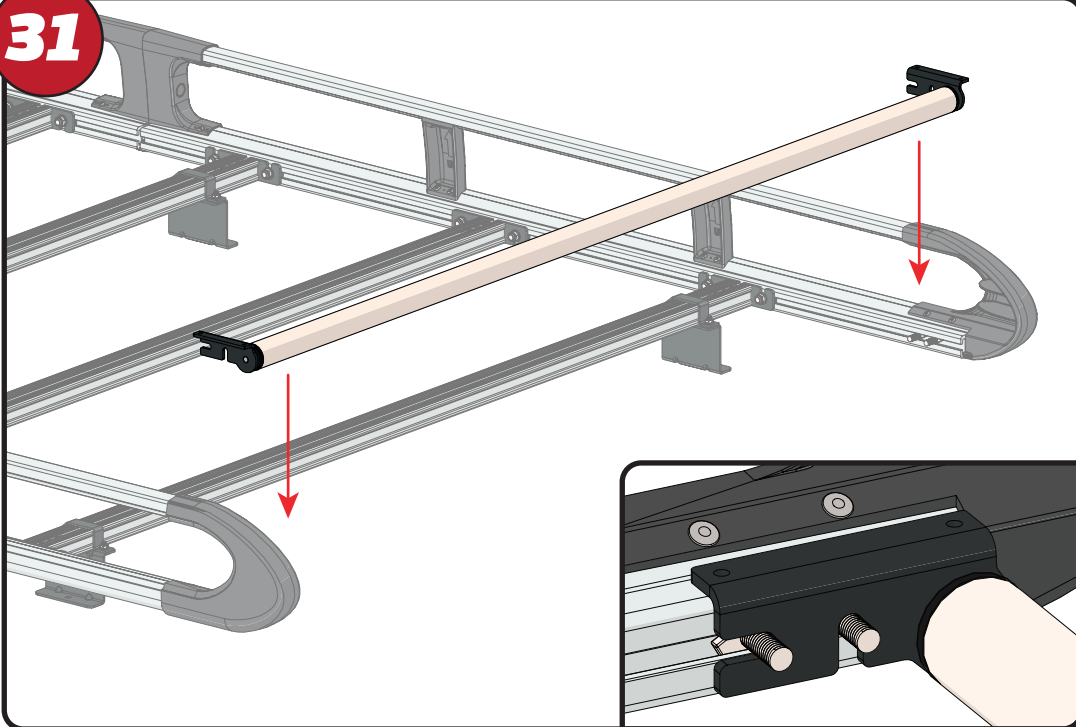
29



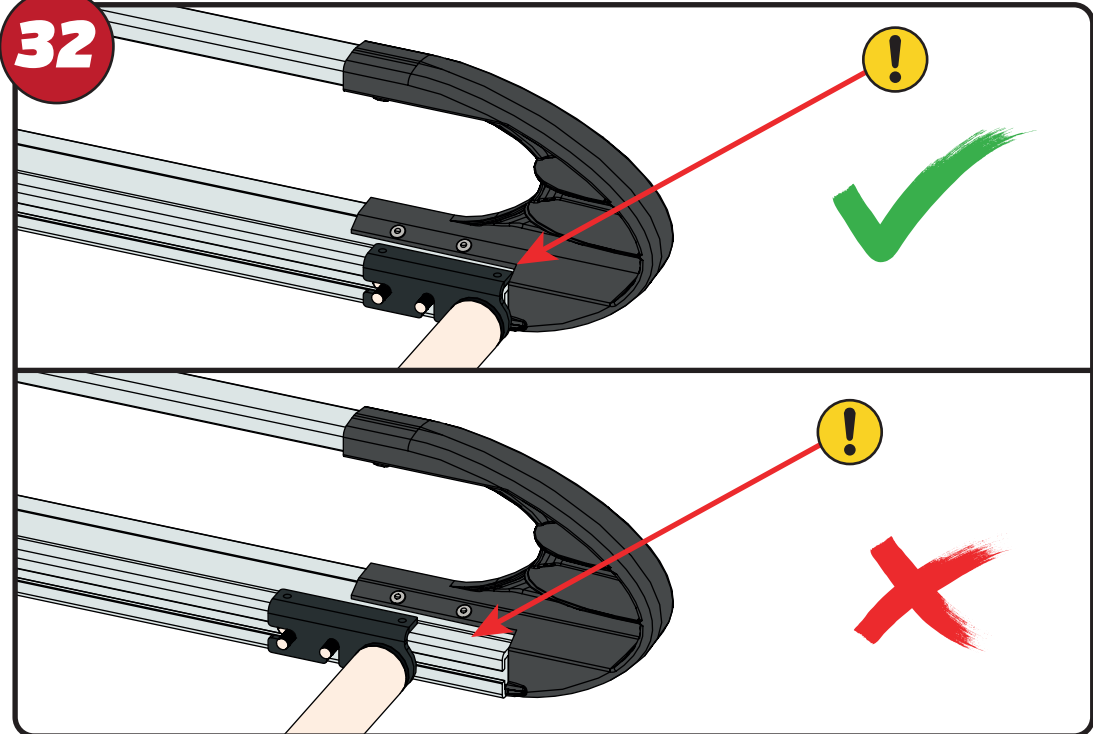
30



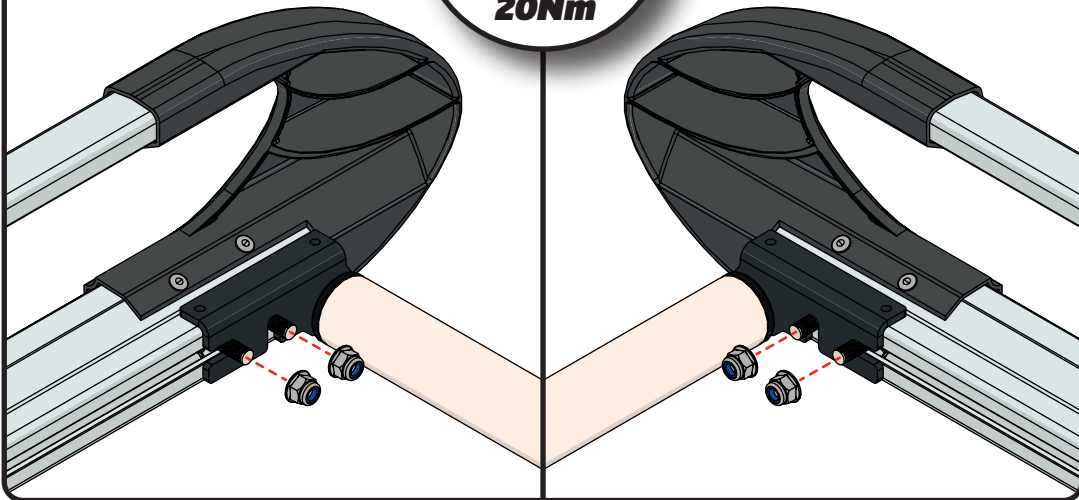
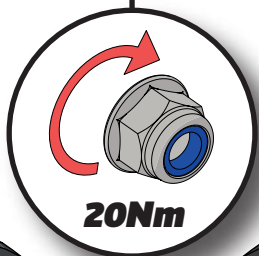
31



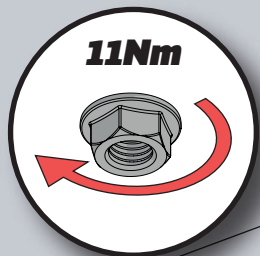
32



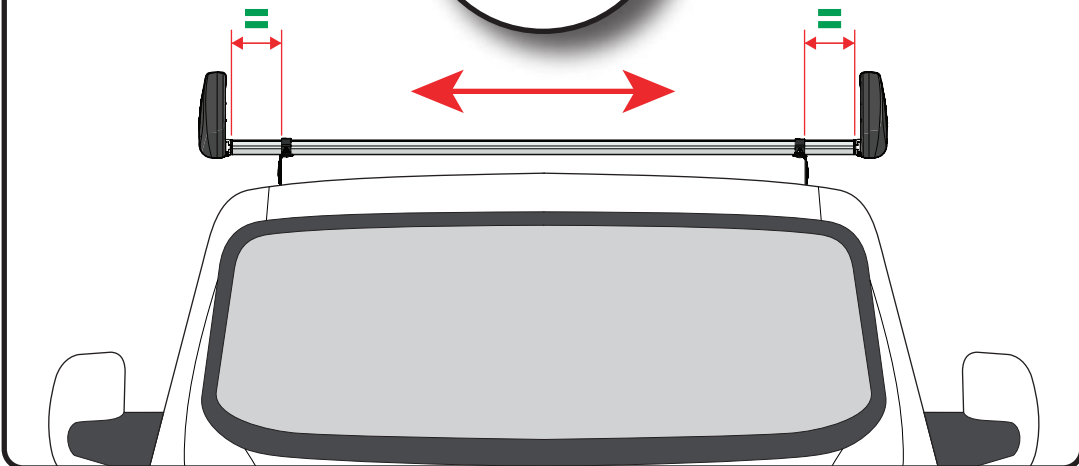
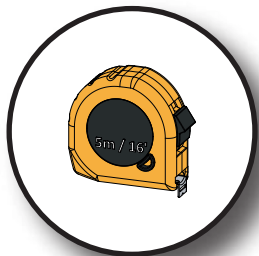
33



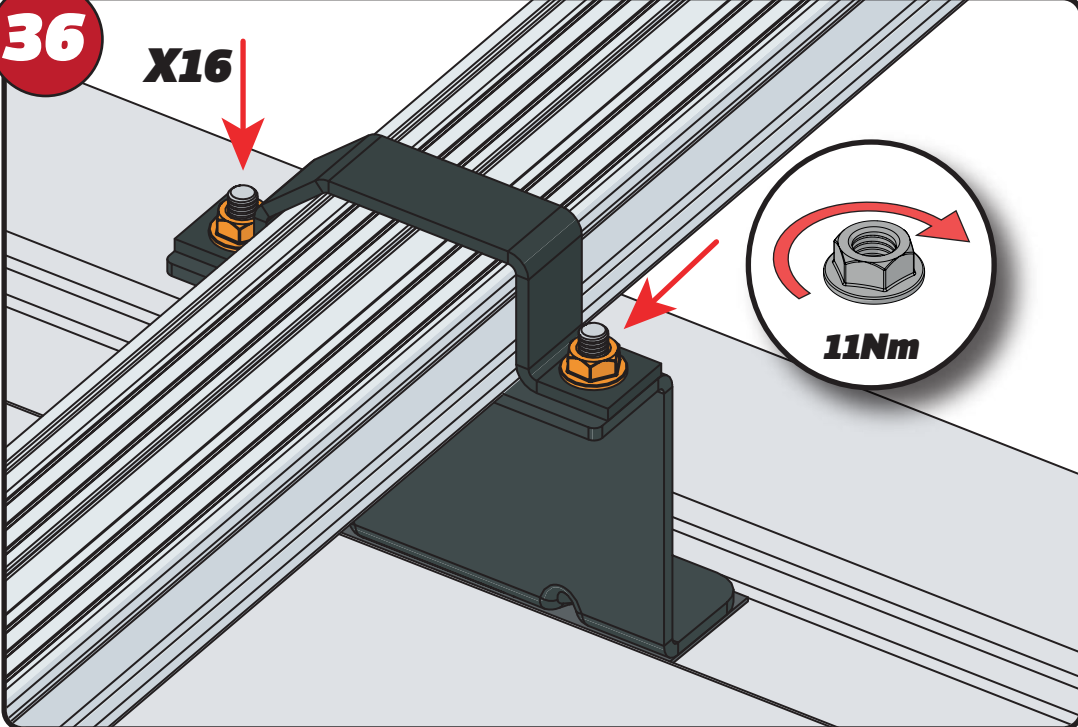
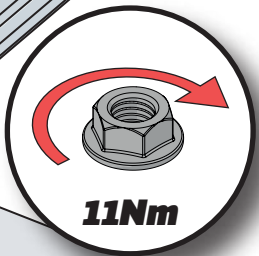
34



35



36

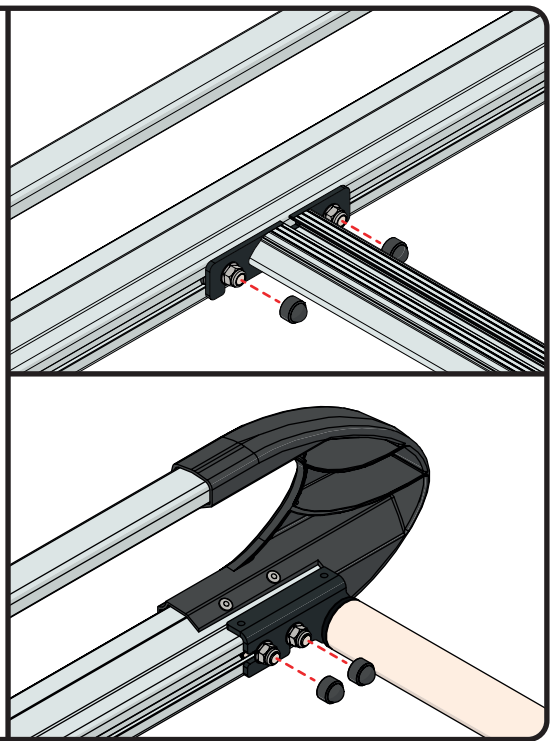


37



FX4241

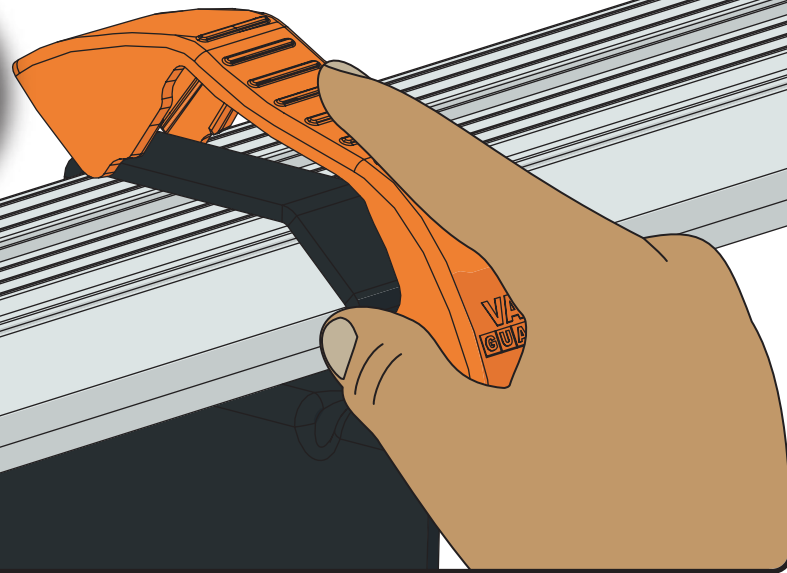
X36



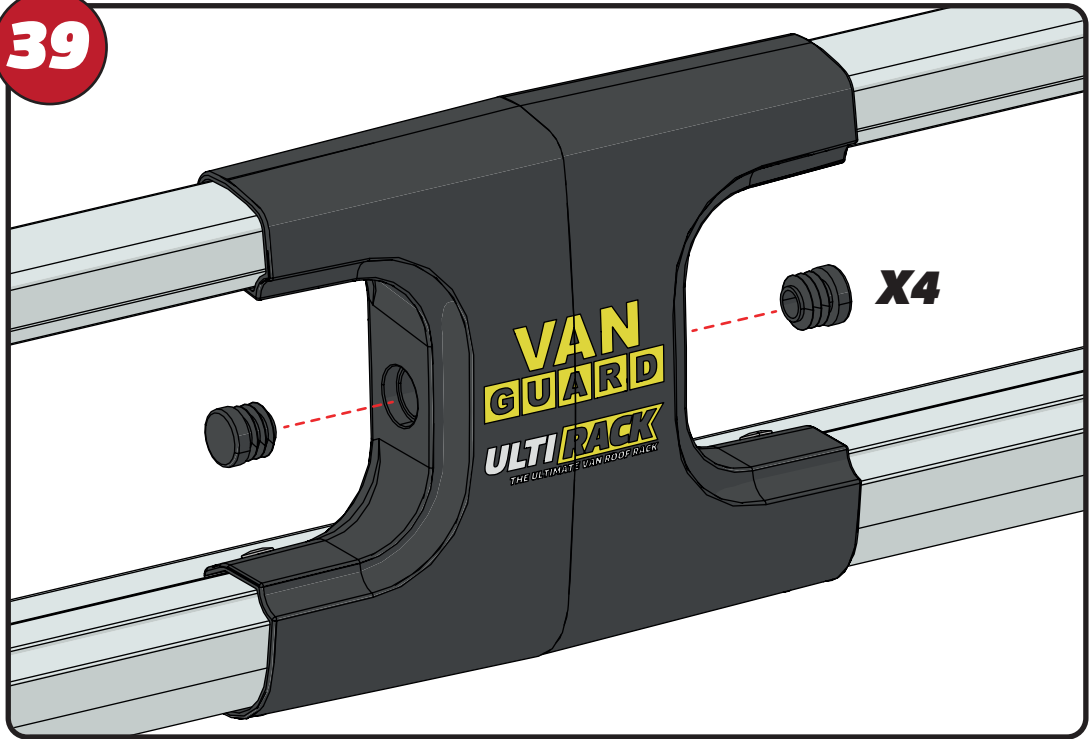
38



X8



39



VAN GUARD
ULTRA RACK
THE ULTIMATE VAN ROOF RACK

X4

40

